

PRODUCT DATA SHEET

Screw Screen (SS-mK)

water | wastewater | sewage



OVERVIEW

The screw screen provides screening of solids from raw sewage or from wastewater in industrial applications. The screw screen is designed for installation in a concrete channel. As standard the system includes compaction of screenings and washing in the compaction zone.

The compactor, located at the end of the transport section of the screw, carries out the compaction and dewatering of screenings to reduce the weight and volume of captured screenings.



ADVANTAGES

- Low maintenance and low initial investment
- Self-cleaning with brushes fitted on the screw
- High solids removal efficiency
- Up to 50% reduction in volume & weight of screenings after compaction
- Transport section: tubular or U-section
- Transport section: longer/shorter lengths available

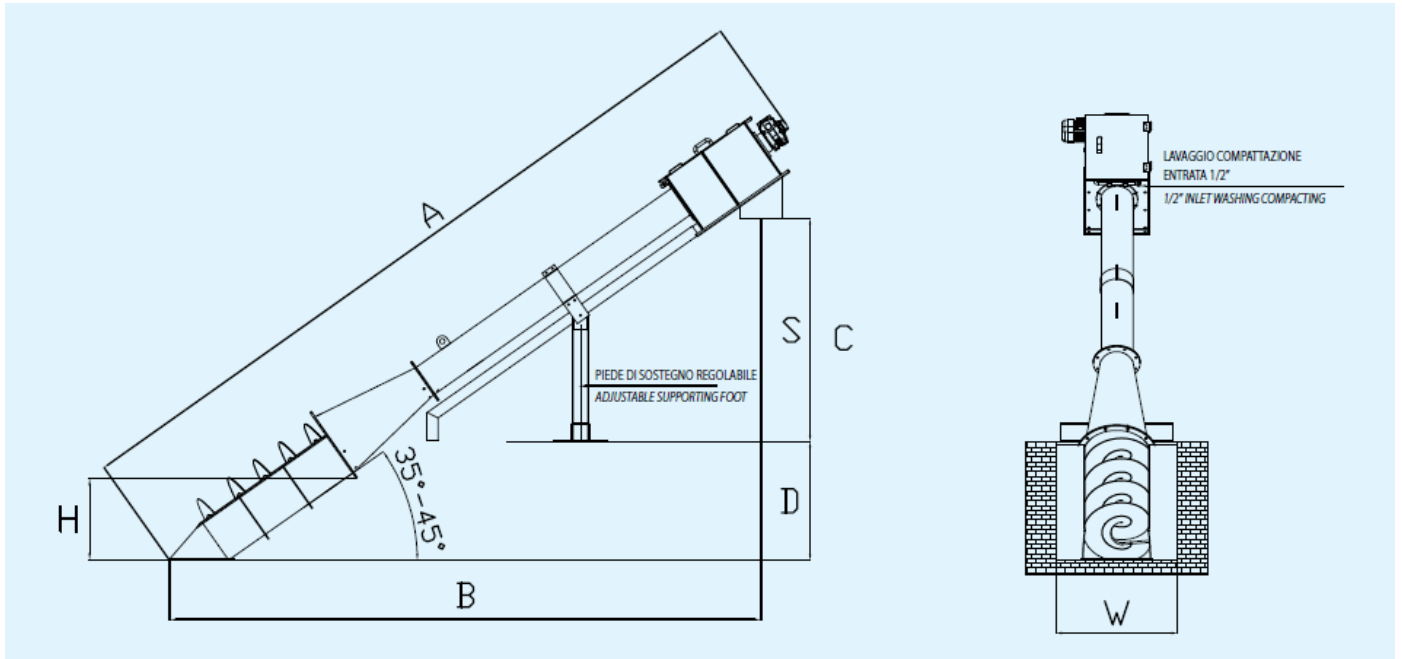
MANUFACTURING FEATURES

- Inlet flow rate; up to 1,250 m³/h
- Screen element options;
 - » Rounded holes 3-10mm
 - » Wedge wire 0.25-3mm

STANDARD SPECIFICATIONS

Parameter		Units	SS-mK-110	SS-mK-160	SS-mK-260	SS-mK-390	SS-mK-610	SS-mK-830	SS-mK-1000
Treatment capacity*1	With rounded holes	Ø3	80	122	158	320	502	690	865
		Ø4	93	137	218	360	528	756	920
		Ø5*2	108	158	259	390	612	830	1000
		Ø6	126	164	288	430	630	850	1070
		Ø7	137	183	310	468	730	905	1160
	With wedge wire	Ø10	158	194	333	495	790	970	1250
		0.25 mm	17	34	75	115	180	220	290
		0.5 mm	45	64	95	170	300	340	385
		1 mm	50	81	135	252	350	430	590
		2 mm	85	100	145	303	430	580	785
	3 mm	112	125	187	340	505	730	900	
Dimensions	W - Channel min/max		300/477	358/542	470/620	570/718	740/888	875/975	1,065/1,167
	H	35°	410	420	430	550	660	800	860
		45°	515	535	540	705	838	985	1,050
	A*3		5,124	5,124	5,124	5,124	6,040	6,040	7,840
	B		4,075	3,975	4,044	3,990	4,512	4,510	4,680
	C		3,040	2,990	3,035	2,980	3,735	3,770	3,650
	D		800	800	800	800	1,000	1,000	1,000
S		1,500	1,500	1,500	1,500	1,500	1,500	1,500	
Installed motor power		kW	0.75	0.75	0.75	0.75	0.75	0.75	1.1
Screw gear reducer speed			11	11	11	11	8	8	8
Screw inclination		deg°	35 to 45	35 to 45	35 to 45	35 to 45	35 to 45	35 to 45	35 to 45
Empty weight		kg	300	318	325	350	608	642	1,100

*1Theoretical, calculated using clean water, *2Standard screen type & aperture, *3Transport section can be lengthened or shortened, which will affect other dimensions.



STANDARD INCLUSIONS + OPTIONS

Equipment		Standard Supply	Optional Supply
Screw screen	Rounded holes screen element	Ø5mm aperture	✓
		Custom aperture (3, 4, 5, 6, 7 or 10mm)	-
	Wedge-wire screen element (0.25, 0.5, 1, 2 or 3mm)	-	✓
	Integrated screenings compaction	✓	-
	Screen basket cleaning, bolted nylon brushes	✓	-
	PE pipe for returning liquid from compaction zone	✓	-
	Squared outlet spout	✓	-
	Bolted screenings compaction system cover	✓	-
	Lifting eyebolts	✓	-
Nord drives with compact motor gearbox and cover guard	✓	-	
Machine carpentry, drive guard and anti-wear materials on screw	SS304L, bolts A2 (SS304)	✓	-
	SS316L, bolts A4 (SS316)	-	✓
Screw	High-carbon steel painted	✓	-
	SS304L	-	✓
	SS316L	-	✓
Washing*1	Compaction zone only, with ½" manual valve	✓	-
	Compaction zone with ½" manual valve and screening basket with 1" manual valve	-	✓
	Manifold for compaction zone and screening basket, with 1" manual valve	-	✓
Automatic Longopac bagging system for screenings with 1x 80m long bag		-	✓
Drive motor premium efficiency	IP55	✓	-
	IP65 with thermistor overload protection	-	✓
Surface treatments*2		✓	-

*1 Washwater requirement: 3 bar, 23L/min *2Stainless steel parts: stripping with acid solution, passivation with glass particles, final surfaces cleaning with anti-dust oil. Carbon steel parts: sandblasting SA 2.5 for external anti-rust paint RAL 5015

Instrumentation & Controls		Standard Supply	Optional Supply
Level sensor, supplied loose for channel installation	Conductive probe	-	✓
	Ultrasonic	-	✓
Solenoid valve kit(s) for selected washing system(s)		-	✓
Control panel to AS/NZ 3000, for external installation		-	✓

NEED A QUOTE?

COMPLETE THIS TABLE AND EMAIL TO...

sales@makwater.com.au

MODEL SELECTION

- 110 Capacity - 108 m³/hr
- 160 Capacity - 158 m³/hr
- 260 Capacity - 259 m³/hr
- 390 Capacity - 390 m³/hr
- 610 Capacity - 612 m³/hr
- 830 Capacity - 830 m³/hr
- 1,000 Capacity - 1,000 m³/h



- 4** Machine carpentry, drive guard and anti-wear material on screw in 304L SS, bolts A2 (304 SS) (standard)
- 6** Machine carpentry, drive guard and anti-wear material on screw in 316L SS, bolts A4 (316 SS)
 - SR5** Rounded holes screen element 5mm aperture (standard)
 - SRC** Rounded holes screen element custom aperture 3, 4, 6, 7 or 10mm
 - SWC** Wedge-wire screen element with aperture 0.25, 0.5, 1, 2 or 3mm
 - SH** Screw in high-carbon steel painted (standard)
 - S4** Screw in 304L SS
 - S6** Screw in 316L SS
 - X** Transport section, standard length
 - C** Transport section, custom length
 - X** Level sensor, without (standard)
 - C** Level sensor – conductive probe, for channel installation
 - U** Level sensor – ultrasonic, for channel installation
 - WC** Washing in compaction zone with manual valve (standard)
 - WS** Washing system in compaction and screening basket with 2x manual valves
 - WM** Manifold for compaction zone & screening basket washing systems with 1x manual valve
 - SX** Solenoid valve kits for all washing systems, without (standard)
 - SA** Solenoid valve kits for all selected washing systems
 - X** Automatic bagging system for screenings, without (standard)
 - L** Longopac automatic bagging system for screenings
 - 55** Drive motor premium efficiency with IP55 protection (standard)
 - 65** Drive motor premium efficiency with upgraded IP65 protection & thermistor overload protection
 - CX** Control panel, without (standard)
 - CE** Control panel, for external installation

Disclaimer: MAK Water is continuously updating and improving its products and services, so please contact us for more detailed information or to confirm specifications. MAK Water takes no responsibility for any errors resulting from the use of information contained within this document.

SS-mK - - - - -

SAL-PDS-062 | AUG-2020